

Model: YXD75S-DWL

75inch Outdoor Screen Wall-mounted Kiosk Specification

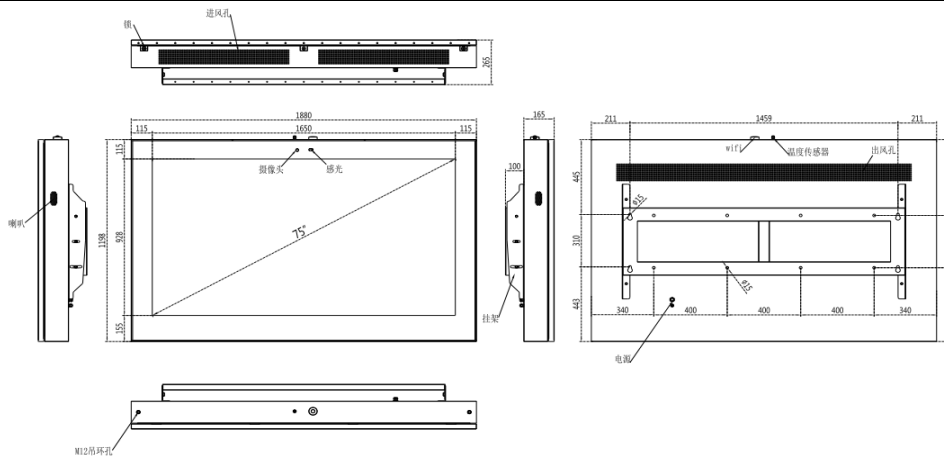
Product



Dimension

1880*1198*165/ L * W * T (mm)

Application



Feature

Structure:

- 1.The shell is made of 1.5mMSGCC galvanized steel plate, sprayed with powder in aksu outdoor, which has been protected against corrosion for more than 7 years
- 2.The shell structure is designed with water-proof tank and water-proof maze of inlet and outlet air hole, which conforms to IP65 protection grade
- 3.Dustproof design: the air inlet and outlet are specially designed with high efficiency dustproof filter, which can filter the fine dust in the air and prevent mosquitoes from entering the machine. The minimalist disassembly and assembly design is convenient for customers to maintain regularly.

- 4.The protective glass in front of the screen is 6mm AR glass, with light transmittance $\geq 97\%$, high light transmittance and anti-reflection.

- 5.The whole machine adopts front and rear door opening mode, which can facilitate the maintenance of internal display, heat dissipation components and electronic parts.
- 6.The whole machine adopts modular design, convenient installation and maintenance.

Display:

- 1.High brightness LCD screen, brightness up to 2500-3000CD /m2.
- 2.High resolution, high contrast, high brightness, greatly improve the picture hierarchy, can better performance details.
- 3.With automatic elimination of residual shadow function, ultraviolet protection, heat insulation to the sun, automatic light sense green energy saving protection for the long-term use of the LCD screen.
- 4.With black level extension adaptive function, enhance the sense of depth of field.
- 5.Outdoor professional high - light LCD screen, video image more bright, three-dimensional sense stronger.
- 6.16.7m color, the picture is more natural, exquisite picture really no tail.
- 7.Long life, 7*24 hours uninterrupted work, up to 50,000 hours.

Electrical:

- 1.Electrical protection: leakage, overload, over voltage protection, lightning protection device, over temperature protection, water leakage protection, etc.
- 2.Sound: dual sound channel, stereo surround power amplifier system, output power 8 euro 10W.
- 3.Working environment temperature design standard +50° - -20°.
- 4.Adopt modular design principle, sustainable and maintainable design.
- 5.Automatic sensitive adjustment: the screen backlight adopts automatic environmental light sensing, real-time adjustment of screen brightness not only meets the requirements of strong direct sunlight environment clear image display, but also makes the screen not dazzling at night, energy saving and environmental protection.

Heat dissipation:

- 1.Adopt integrated intelligent direct air cooling system, professional and special air channel cooling design.
- 2.The air inside the machine circulates and exchanges with the external air. After the external air enters the air filter and is filtered, it is divided into two air circulation channels at the front and back of the

	<p>screen to ensure that the temperature difference between the internal temperature and the external temperature reaches 8-10 degrees. 3.Independent research and development of fan speed control board, according to the internal temperature of the machine, automatically adjust the fan speed. 4.Equipped with high temperature automatic power off protection function, when the internal temperature of the machine is abnormally high and beyond the normal working range, the control system will protect the display screen and other main components without power off. At the same time, the fan continues to run at full speed for heat dissipation, fully protecting the display screen and main components.</p>	
System	<p>1.Each play area can be arranged and layered freely, and can be played horizontally and vertically. 2.Screen area is free to split, can combine pictures, audio, video, web, clock, date, subtitles, mixed material editing. 3.Support program and broadcast table preview, real-time monitoring of the playing screen, multi - segment timing switch setting, automatic reset. 4.Different users can set different operation rights. 5.Using distributed management, support remote or local control. 6.Support android phone or tablet terminal to send program list, remote monitoring, timing switch function. 7.The screen brightness is automatically adjusted according to the surrounding environment. 8.Supports all kinds of regular audio/video, and Office documents. 9.Support cable, wifi and 4G networks.</p>	
	specification	
Screen	<p>Screen: 75inch TFT SCREEN RATIO: 16:9 Resolution :3840x2160 Display Area:1650*8928 Point Distance: 0.63*0.63 Contrast:3500:1 Brightness:2500-3000cd/m2 Response Time:6ms Angle: Horizontal / Vertical: 178 Backlight: LED</p>	
Motherboard scheme	<p>MOTHERBOARD: RK3568 Ghz Ram: 2 GB BUILT-IN STORAGE: EMMC 16G Operating System: Android11.0</p>	
Heat dissipation	Through-air cooling system	Low temperature self-starting heating module
		The temperature of self-checking probe can control the rotation speed of the fan to save energy and prolong the life of the fan
		Intelligent temperature sensing system, high temperature automatically turn off the display
Electric Control	Timer	Can Be set by day, week, month to custom switch machine
	Leakage Protector	When the leakage current is over 30MA, the circuit should be disconnected to protect the human body
	Lightning arrester	Self-check outdoor lightning strike 40kA surge current, play a 3-level lightning protection effect, to protect the safety of equipment
	Switch power supply	Using industrial-grade power supply, 365 days stable throughout the year, continuous voltage output
	Smoke Sensor (Option)	Smoke sense and alarm
	Vibration sensor (Option)	Check machine operation situation. If overpass the vibration value means machine has some problems.
	Open Door Sensor (Option)	Open door alarm, early warning through background signal to improve machine safety
	Water Level Sensor (Option)	It can detect water leakage in the interior, and provide early warning through the background signal to improve the safety of the machine.
	Waterproof Speaker	Waterproof high-quality, 10w speakers, realistic sound quality, stereo sound
Accessories	Manual, remote control, warranty card, certificate of conformity, Power Cord	
Product structure	Product architecture	1.5 mm galvanized sheet, sprayed Aksu outdoor powder, outdoor anti-corrosion for more than 7 years
	Dust proof design	The shell structure design waterproof trough and in and out the wind hole waterproof labyrinth, meets the IP65 protection grade
	Anti-theft design	The Base / Hanger is designed with an internal lock to prevent the machine from being moved by removing screws from the outside, which is really safe against theft
	Waterproof design	The air inlet and outlet are designed with special dust-proof filter (medium and high efficiency dust-proof filter) to filter the fine dust in the air and prevent mosquitoes and insects from entering the machine
	Installation mode	Wall-mounted type
	Protective Glass	6 mm high transmittance toughened glass or Ar anti-glare toughened glass, light transmittance ≥97% , high transmittance
	Weight	350kg
	Product size	1880*1198*165 (mm)
	Packing size	2358*1215*390 (mm)
Operating parameter	noise	<65dB
	Protection grade	IP65
	Storage environment	-10°C to 60°C
	The work environment	Working Temperature: -20°C to + 80 °C working humidity: 5% to 90%
	The power supply	AC110-240V 60HZ
	power	≤1200W