

Asianda®

Shenzhen Yaxunda lcd led display equipment Co.,Ltd

info@asianda.com Whatsapp: +86-13417590543

Model Name: YXD65S-DWL

65inch Outdoor Hanging Out Advertising Player

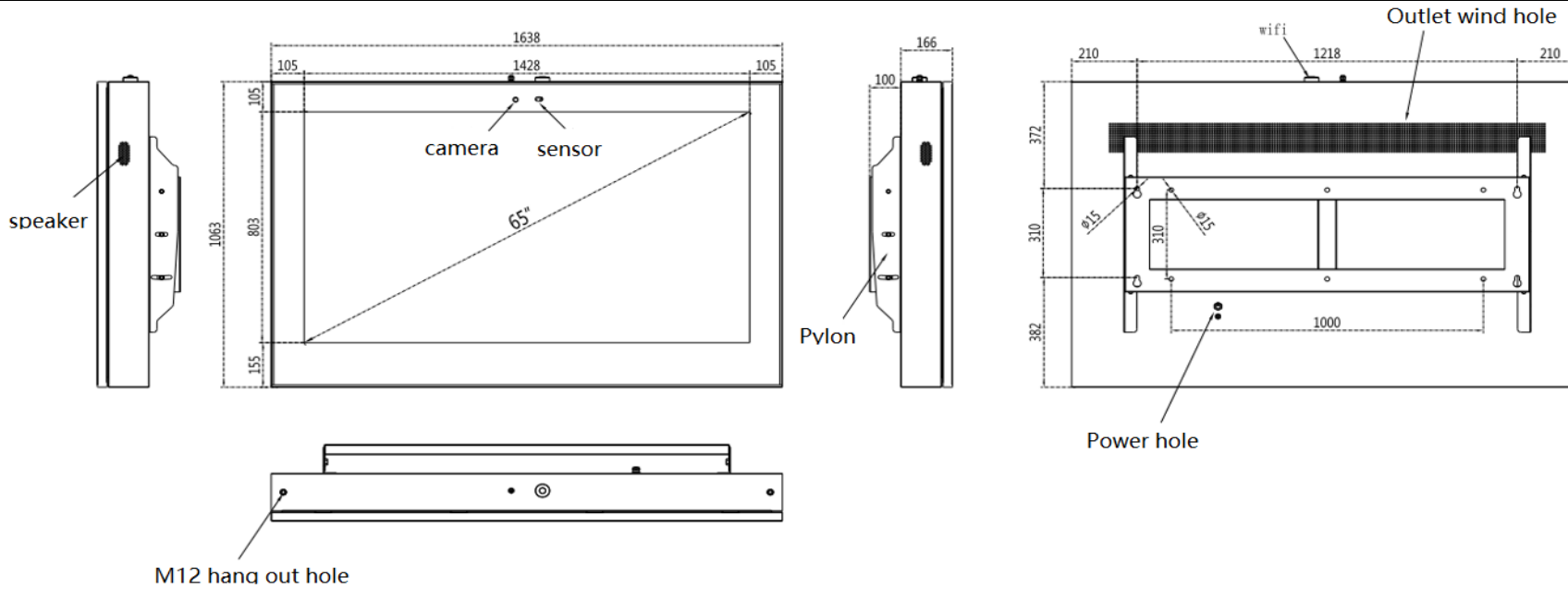
Product Image



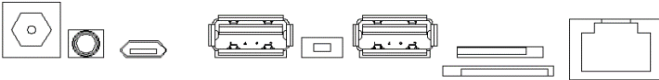
Dimension

1638*1063*166/ L * W* T (mm)

Applications



<p>Product Features</p>	<ul style="list-style-type: none"> -High resolution, high contrast, high brightness, greatly improve the picture hierarchy, can better performance details. -With automatic elimination of residual shadow function, ultraviolet protection, heat insulation to the sun, automatic light sense green energy saving protection for the long-term use of the LCD screen. -With black level extension adaptive function, enhance the sense of depth of field. -Adopt Outdoor professional high - light LCD screen, video image more bright, three-dimensional sense stronger. -16.7M color, The picture is more natural -Long life, 7*24 hours uninterrupted work, up to 50,000 hours. -Electrical protection: leakage, overload, over voltage protection, lightning protection device, over temperature protection, water leakage protection, etc. -Sound: dual sound channel, stereo surround power amplifier system, output power 8 euro 10W. -Working environment temperature design standard +60°~ -20° -Adopt modular design principle, sustainable and maintainable design. -Automatic sensitive adjustment: the screen backlight adopts automatic environmental light sensing, real-time adjustment of screen brightness not only meets the requirements of strong direct sunlight environment clear image display, but also makes the screen not dazzling at night, energy saving and environmental protection. -Adopt integrated intelligent direct air cooling system, professional and special air channel cooling design. -The air inside the machine circulates and exchanges with the external air. After the external air enters the air filter and is filtered, it is divided into two air circulation channels at the front and back of the screen to ensure that the temperature difference between the internal temperature and the external temperature reaches 8-10 degrees. -Independent research and development of fan speed control board, according to the internal temperature of the machine, automatically adjust the fan speed. -Equipped with high temperature automatic power off protection function, when the internal temperature of the machine is abnormally high and beyond the normal working range, the control system will protect the display screen and other main components without power off. At the same time, the fan continues to run at full speed for heat dissipation, fully protecting the display screen and main components. 															
<p>Play system</p>	<p>Each playing area can be arranged and layered freely, and can be played on horizontal and vertical screens ; Screen Area Free Segmentation, composable picture, audio, video, web page, clock, date, caption, mixed material editing; Support Program and broadcast table preview, real-time monitoring playback screen, multi-stage timing switch settings, automatic reset ; Different users can set different permissions ; Adopt distributed management, support remote or local control ; Support android phone or tablet terminal to play a list of programs, remote monitoring, timing switch function ; Screen brightness can be adjusted automatically according to the surrounding environment; Supports a variety of general audio / Video, and office documents; Support cable, Wifi, 4G network.</p>															
<p>Product name</p>	<p style="text-align: center;">Specifications</p>															
<p>Display</p>	<table border="0" style="width: 100%;"> <tr> <td style="width: 33%;">LCD screen: 65inch TFT display</td> <td style="width: 33%;">Resolution:2160*3840</td> <td style="width: 33%;"></td> </tr> <tr> <td>Aspect ratio: 16:9</td> <td></td> <td></td> </tr> <tr> <td>Display area:1423*803</td> <td></td> <td></td> </tr> <tr> <td>Pix distance: 0.63*0.63</td> <td>Contrast ratio:4000:1</td> <td>Brightness:2500cd/m2</td> </tr> <tr> <td>Response time:6ms</td> <td>Viewing angle:178°</td> <td>Backlight: LED</td> </tr> </table>	LCD screen: 65inch TFT display	Resolution:2160*3840		Aspect ratio: 16:9			Display area:1423*803			Pix distance: 0.63*0.63	Contrast ratio:4000:1	Brightness:2500cd/m2	Response time:6ms	Viewing angle:178°	Backlight: LED
LCD screen: 65inch TFT display	Resolution:2160*3840															
Aspect ratio: 16:9																
Display area:1423*803																
Pix distance: 0.63*0.63	Contrast ratio:4000:1	Brightness:2500cd/m2														
Response time:6ms	Viewing angle:178°	Backlight: LED														

Mainboard	Mainboard: RK3568 2.0GHZ Operation system: Android11.0		Storage: 2GB: EMMC 16G	
Android interface	 <p>Audio *1, Type C *1, USB*2, SIM card *1, SD card*1, RJ45*1</p>			
Heat Dissipation	Fan cooling system	Low temperature self-starting heating module		
		Self - check probe temperature can control fan speed, save energy, prolong fan life		
		Intelligent temperature sensing system, high temperature automatically off display		
Electronic control	Timer	Can be customized by day, week, month switch		
	Leakage protector	When the leakage current is greater than 30mA, the circuit should be disconnected to protect the human body		
	Lightning arrester	Self-test outdoor lightning strike 40ka surge current, play a level 3 lightning protection role, protect the safety of the equipment		
	Power switch	Industrial grade power supply, 365 days a year stable, continuous output voltage		
	Smoker sensor (option)	Detect the smoke generated when the fire, through the background alarm		
	Vibrating sensor (option)	The running condition of the machine can be detected through the background. If the vibration value exceeds the value, it indicates that the machine is faulty		
	Door opening detector (option)	Open door alarm, through the background signal to warn, improve the safety of machine use		
	Water level detector (option)	Detect the internal leakage situation, through the background signal to early warning, improve the safety of the machine		
	Waterproof loudspeaker	Waterproof high quality 10W speaker, sound quality realistic, sound sense stereo		
Accessories	Remote control, warranty card, certificate of qualification, power cord			
	Product housing	1.5mm galvanized sheet, outdoor anti-corrosion for more than 7 years		

Product Structure	Dustproof design	T shell structure design with waterproof water tank and inlet and outlet air hole waterproof maze, in line with IP65 protection class
	Security design	The base/frame design has an internal lock to prevent the machine from being moved from the outside to remove the screws, which is truly safe against theft
	Waterproof design	Special dust filter (medium and high efficiency dust filter) is used in the inlet and outlet to filter fine dust in the air and prevent mosquitoes from entering the machine
	Installation	Hang out
	Protection glass	6mm High permeability toughened glass or anti-glare toughened glass, light transmittance $\geq 97\%$
	Weight	150kgs
	Product size	2250*1010*155 (mm)
Working parameters	Noise	< 65dB
	Protection level	IP65
	Storage environment	-10°C to 60°C
	Working environment	Working environment: -20 °c to + 55 °c ; Working humidity: 5% to 90%
	Power supply	AC110~240V 60HZ
	Power dissipation	$\leq 550W$