

Model: YXD55S-DWP
Version:

55inch Outdoor Floor Standing Digital Signage

Image



Dimension

2000*860.4*130/L * W* T (mm)

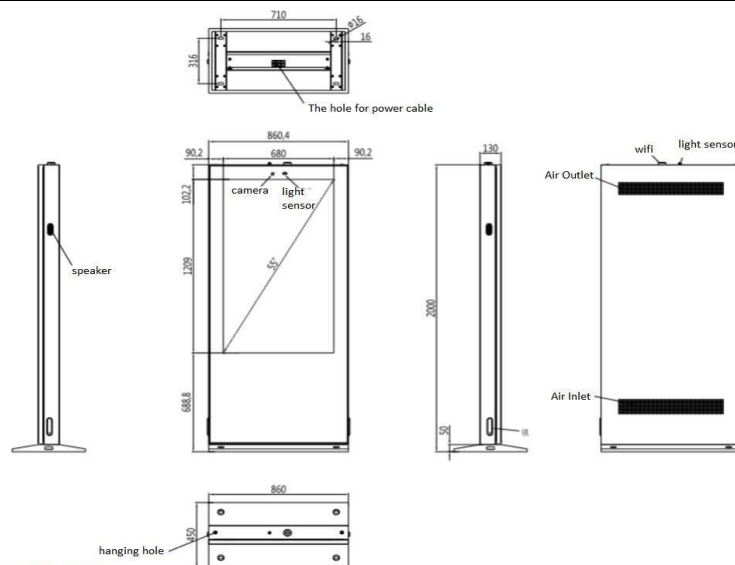
Application

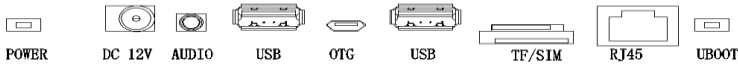
Asianda®
**OUTDOOR SIGNAGE
FLOOR STANDING**

- 55/65/75 inch
- OEM/ODM
- Cloud Software Free
- 1 Years Warranty

CE IP65 RoHS

Since 2010



<p>Features</p>	<p>Structure: Galvanized sheet metal with with professional outdoor spray painting process The shell structure is designed with waterproof groove and air inlet and outlet waterproof maze, which meets the ip65 protection level. The dust filter filters the fine dust in the air and prevents mosquitoes from entering the inside of the machine. The minimalist disassembly and assembly design facilitates regular maintenance by customers.</p> <p>The whole machine adopts the front and rear door opening method, which can facilitate the maintenance of the internal display screen, heat dissipation components and electronic parts. The whole machine adopts modular design, which is convenient for installation and maintenance.</p> <p>Display: Using high-brightness LCD display, the brightness can reach 2500-3000cd/m2. High-resolution, high-contrast, high-brightness, greatly improve the sense of layering of the picture, can better express the details. It has the function of automatically eliminating residual image, anti-ultraviolet, heat insulation against sunlight, and automatic light-sensing green energy saving to protect the long-term use of the LCD screen. It has the function of black level extension and self-adaptation, which enhances the sense of depth of the image. With outdoor professional high-bright LCD screen, the video image is brighter and the three-dimensional effect is stronger. 16.7M colors, the picture is more natural, and the delicate picture is truly without tailing. Super long life, 7*24 hours of uninterrupted work, up to 50,000 hours.</p> <p>Electrical: Electrical protection: leakage, overload, overvoltage protection, lightning protection device, over temperature protection, water leakage protection, etc.</p> <p>Audio: Using dual-channel, stereo surround amplifier system, output power 8 ohm 10W. The working environment temperature design standard is +60°c-- -20°c. Adopting modular design principles, sustainable and maintainable design. Automatic light-sensing adjustment: The screen backlight adopts automatic ambient light sensing, real-time adjustment of the screen brightness can meet the clear image display under strong direct sunlight environment, and make the screen not dazzling at night, saving energy and environmental protection.</p> <p>Heat dissipation: Adopt integrated intelligent direct ventilation heat dissipation system, professional and special air duct heat dissipation design. The internal air and external air of the whole machine are circulated and exchanged. After the outside air enters the dust filter and is filtered, it is divided into two air circulations before and after the screen to ensure that the internal temperature reaches a temperature difference of 8-10 degrees from the external temperature. Independently developed fan speed control board, which can automatically adjust the fan speed according to the internal temperature of the machine. Equipped with high-temperature automatic power-off protection function. When the internal temperature of the machine is abnormally high and exceeds the normal working range, the control system will power off the main components such as the display screen. At the same time, the fan continues to run at full speed to dissipate heat to fully protect the display screen and main components.</p>	
<p>Medioplayer</p>	<ol style="list-style-type: none"> Each playing area can be arranged and layered freely, and it can be played horizontally and vertically. The screen area can be divided freely, and the editing of pictures, audios, videos, web pages, clocks, dates, subtitles, and mixed materials can be combined. Support program and playlist preview, real-time monitoring of the playback screen, multi-segment timing switch settings, and automatic reset. Different users can set different operation permissions. It adopts distributed management and supports remote or local control. The screen brightness is automatically adjusted according to the surrounding environment. Support all kinds of conventional audio/video, and office documents. Support wired, wifi, 4G network optional. 	
<p>Items</p>	<p>Specifications</p>	
<p>Screen</p>	<p>Size: 55inch TFT Screen ratio: 16:9 Display Area:1209*680 Dot pitch: 0.63*0.63 Response Time:6ms</p>	<p>Resolution:2160*3840 Contrast:4000:1 Viewing Angles: horizontal/vertical :178° Brightness:2500-3000cd/m2 Backlight: LED backlight</p>
<p>Motherboard (Android)</p>	<p>MOTHERBOARD: RK3568 Ghz Ram: 2 GB BUILT-IN STORAGE: EMMC 16G Operating System: Android11.0</p>	
<p>Interfaces</p>		
<p>Cooling and heating</p>	<p>Cooling system</p>	<p>Low temperature self-starting heating module The temperature of the self-check probe can control the fan speed, save energy and extend the life of the fan Intelligent temperature sensing system, high temperature automatically turns off the display</p>
<p>Electric Control</p>	<p>Timer Leakage Protector Lightning arrester Switch power supply Smoke Sensor (Option) Vibration sensor (Option) Open Door Sensor (Option) Water Level Sensor (Option) Waterproof Speaker</p>	<p>Can Be set by day, week, month to custom switch machine When the leakage current is over 30MA, the circuit should be disconnected to protect the human body Self-check outdoor lightning strike 40kA surge current, play a 3-level lightning protection effect, to protect the safety of equipment Using industrial-grade power supply, 365 days stable throughout the year, continuous voltage output Smoke sense and alarm Check machine operation situation. If overpass the vibration value means machine has some problems. Open door alarm, early warning through background signal to improve machine safety It can detect water leakage in the interior, and provide early warning through the background signal to improve the safety of the machine. Waterproof high-quality, 10w speakers, realistic sound quality, stereo sound</p>
<p>Accessories</p>	<p>User Manual, remote control, warranty card, certificate</p>	

Structure	Product structure	Galvanized sheet metal with with professional outdoor spray painting process
	Dust-proof design	The T shell structure is designed with a waterproof groove and a waterproof labyrinth of air inlet and outlet holes, which meets the ip65 protection level
	Anti-theft design	The base/frame is designed with an internal lock to prevent the machine from being moved to remove the screws from the outside, which is truly safe and anti-theft
	Waterproof design	Special dust-proof filters (medium and high-efficiency dust-proof filters) are used for the inlet and outlet to filter the fine dust in the air to prevent mosquitoes from entering the machine
	Installation method	Floor-standing
	Protective glass	6mm high transmittance tempered glass or anti-glare tempered glass, or 9mm AR laminated glass
	Weight	130kg
	Product Size	2000*860.4*130 (mm)
	Package Size	2140*1090*390 (mm)
Working parameters	Noise	< 65dB
	Protection level	IP65
	Storage environment	-10°C to 60°C
	Working environment	Operating temperature: -20 °c to + 60°C; operating humidity: 5% to 90%
	Power supply	AC110~240V 60HZ
	Power	≤400W